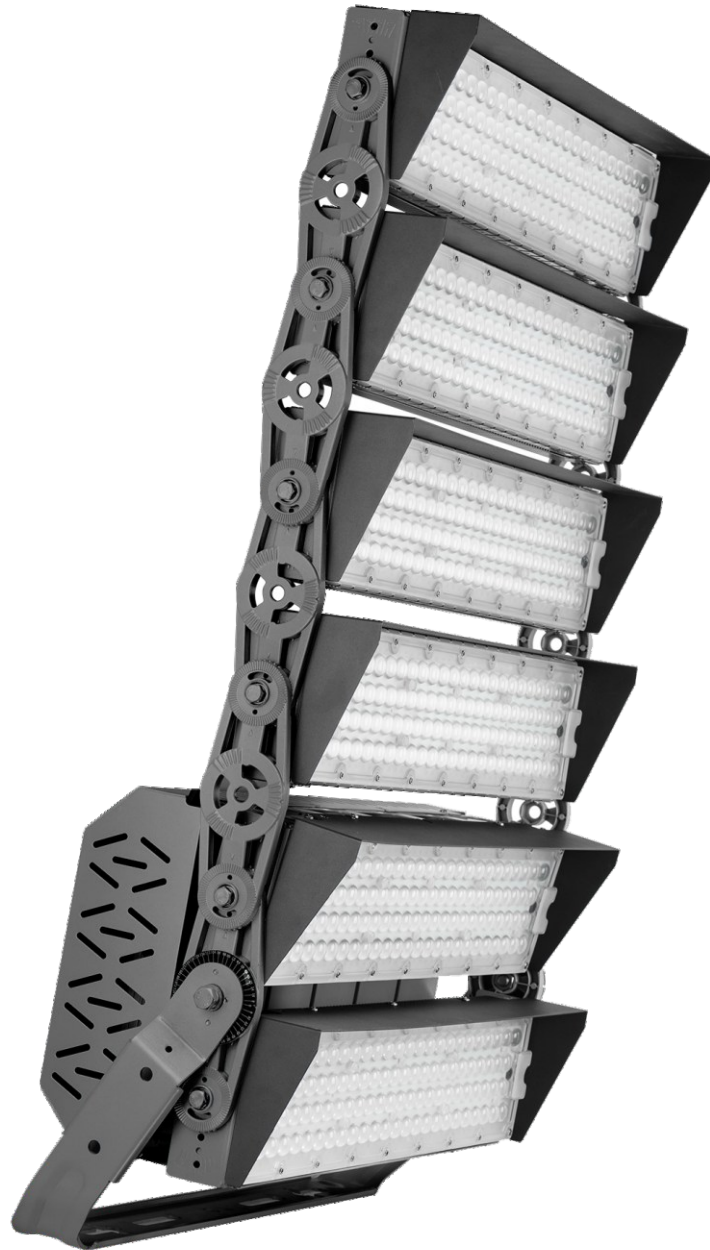




DUALRAYS
Intelligent . Healthy . Efficient

SPECIFICATION



SP4 LED SPORT LIGHT

(Lightweight Design for Your Stadium)



Features



DUALRAYS
Intelligent . Healthy . Efficient

SP4 LED Sport Light

(Lightweight Design for Your Stadium)

- > Pure Al Fin Heat Sink, LightWeight Design But Higher Excellent Thermal Conductivity (230W/m.K Max);
- > High Brightness LUMILEDS LUXEON SMD5050 LEDs, Meanwell HLG / ELG Driver;
- > IP67 / IK08 Protection;
- > Symmetrical 8°/20°/40°/60°/90°, Asymmetrical 140°*100° Beam Angle Optional;
- > Corrosive Resistant Powder Coated Finish;
- > 35° rotatable for each module, and 140° for the whole lighting fixture;
- > Integrated Back Cover Design, More Compact and Elegant;
- > Various intelligent control: 1-10V, DALI, PWM, Zigbee for Option;
- > Customized supported for special projects;

CE RoHS LM-79 LM-80 SAA

- > Pure Al Fin Heat Sink, Lightweight Design But Higher Thermal Conductivity (230W/m.K Max);
- > High Brightness LUMILEDS LUXEON SMD5050 LEDs, Meanwell HLG / ELG Driver;
- > 35° Rotatable for Each Module, and 140° for the Whole Lighting Fixture;
- > IP66 / IK08 Protection;
- > Symmetrical 8°/20°/40°/60°/90°, Asymmetrical 140°*100° Beam Angle Optional;
- > Corrosive Resistant Powder Coated Finish;
- > Independent Driver and Module Space to Avoid Heat Affect for Each Other;
- > Integrated Back Cover Design, More Compact and Elegant;
- > Various intelligent control: 1-10V, DALI, PWM, Zigbee for Option;
- > No UV or IR and completely mercury free;
- > L70/B20 @ 70.000h;
- > Customized supported for special projects;

Options:

- > Driver: Meanwell ELG/HLG driver;
- > Controls and Dimming: 1-10V, DALI, PWM, Zigbee;
- > Surge Protection Device: Meanwell SPD-20 20KV Surge Protector;
- > Lens : Symmetrical 8°/20°/40°/60°/90°, Asymmetrical 140°*100° optics;
- > Aiming Device: Laser Pointer;

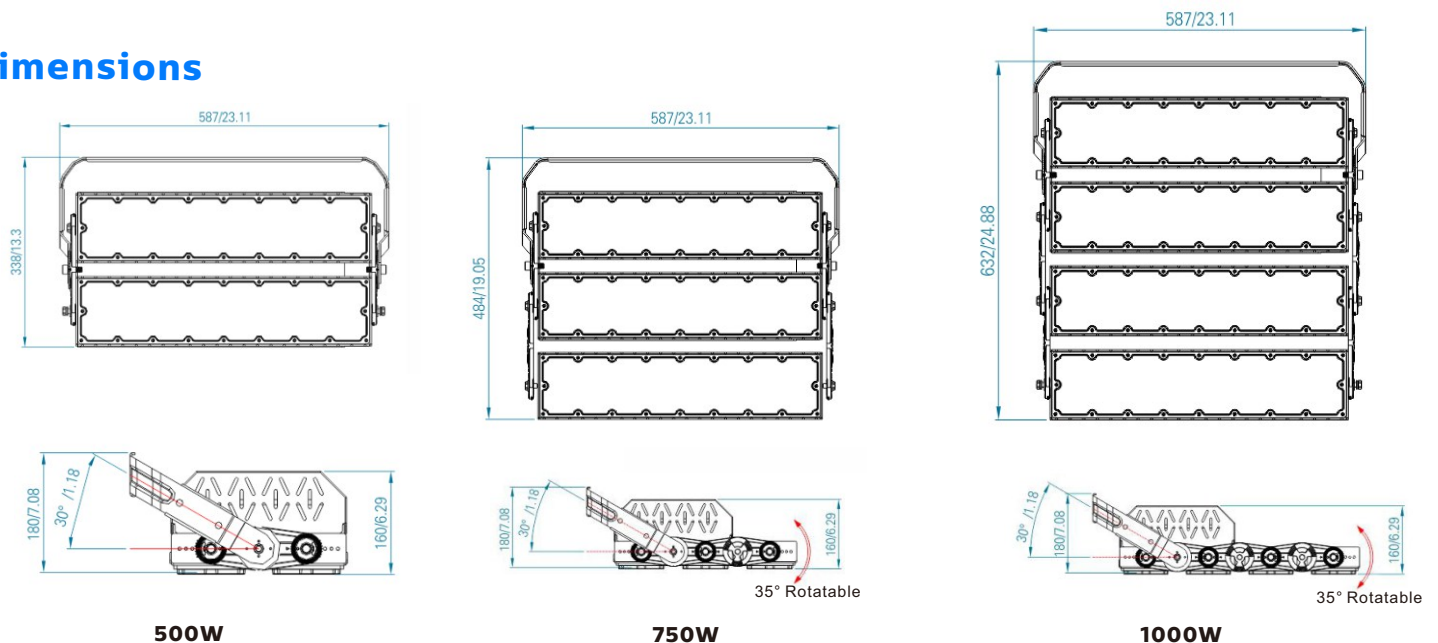
Application

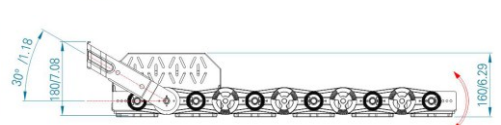
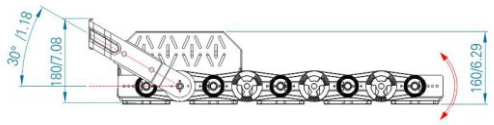
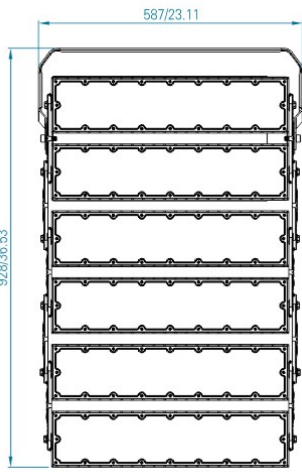
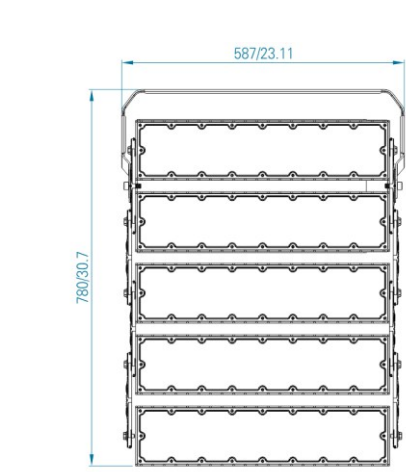
- > Logistics areas (Ports)
- > Stadiums and Racing tracks
- > Public squares
- > Apron lighting (Airports), Parking and Industrial areas
- > Recreational sports lighting applications (Football, Hockey, Basketball, Golf, Tennis, etc)

Technical Parameters

| | | | | | | |
|----------------------------------|---|----------------|----------------|-----------------|-----------------|-----------------|
| Model No. | DR-SPL250-DGXP | DR-SPL500-DGXP | DR-SPL750-DGXP | DR-SPL1000-DGXP | DR-SPL1250-DGXP | DR-SPL1500-DGXP |
| System Watts/W | 250W | 500W | 750W | 1000W | 1250W | 1500W |
| System Efficiency/LPW | 150~160LPW | | | | | |
| Lumen Output/lm | 40.000±5% | 80.000±5% | 120.000±5% | 160.000±5% | 200.000±5% | 240.000±5% |
| Rated Input Voltage/V | AC100~277V, 50/60Hz | | | | | |
| LEDs Light Source | SMD5050 | | | | | |
| SDCM | <5 | | | | | |
| CCT/K | 5000K for Standard (3000K/4000K/5700K/6500K Optional) | | | | | |
| CRI/Ra | >70Ra (>80Ra for Option) | | | | | |
| Power Factor | >0.95 | | | | | |
| THD | <10% | | | | | |
| Beam Angle(Optional) | 20°/40°/60°/90°/140*60° Optional | | | | | |
| UGR | <25 | | | | | |
| Surge Protection | 4~6KV SPD built in Driver, Exterior SPD 20KV Meanwell Optional | | | | | |
| LED Driver | Meanwell ELG / HLG Optional | | | | | |
| IP Rating | Ip66 | | | | | |
| Dimming(Optional) | 1-10V, DALI, PWM, Zigbee for Option | | | | | |
| Safety Protection | Open Circuit / Short Circuit / Over-voltage / Over Temperature Protection | | | | | |
| Start Time | 0.5s | | | | | |
| Protection Class | Class I | | | | | |
| Finishing Color(Optional) | Black RAL9017(Standard) / White RAL9016 Matt Optional | | | | | |
| Material | Aluminum+PC | | | | | |
| Lifespan/hrs | 70.000 Hrs (Ta=30°C@L70) | | | | | |
| Operation Temp/°C | -40°C to + 50°C (-40°F to 122°F) | | | | | |
| Storage Temp/°C | -40°C to + 65°C (-40°F to 149°F) | | | | | |
| Switching Cycles | 100,000 Times | | | | | |
| Certificate | CE(EMC+LVD), RoHS, ENEC, D-Mark, SAA, RCM Available | | | | | |

Dimensions

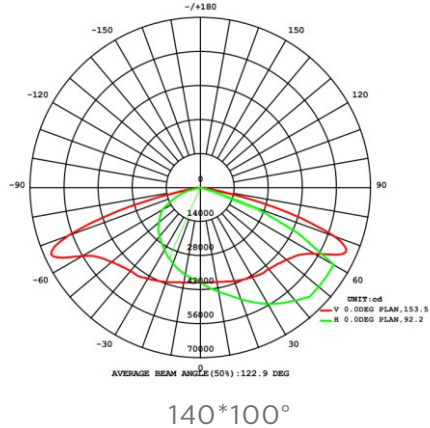
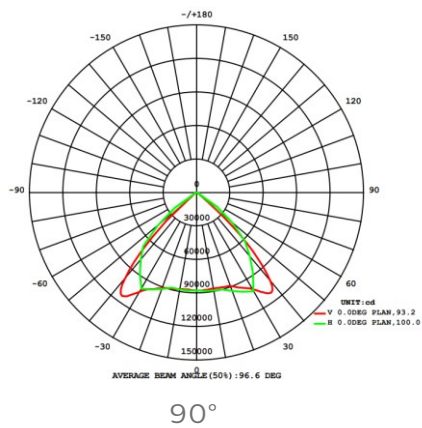
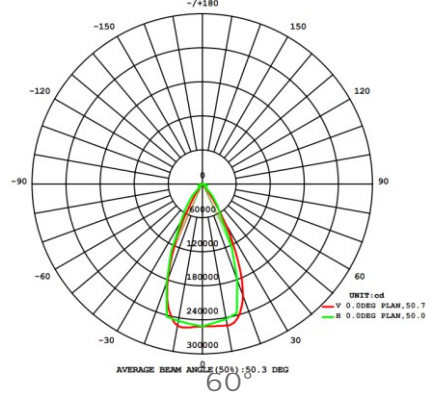
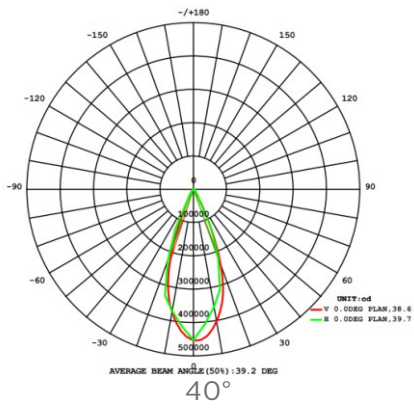
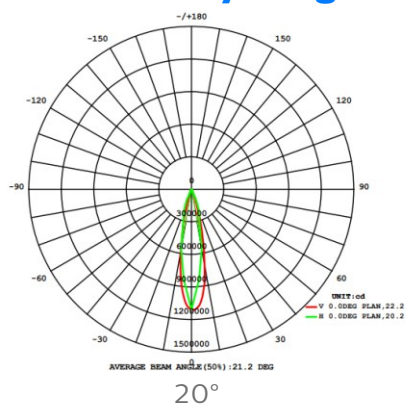




1250W

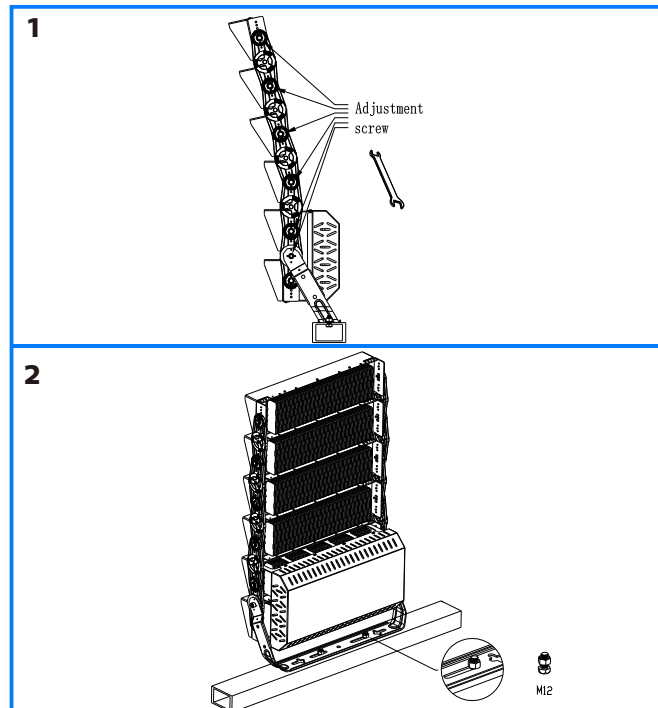
1500W

Photometry Diagram



Installation

1. Adjust the angle for each module through the bracket.
2. Secure the fixture using the 2 mounting holes.
3. Connect the dimming wires.
4. Adjust the lamp angle to what you need.



INSTALLATION GUIDE

IMPORTANT SAFETY INFORMATION:

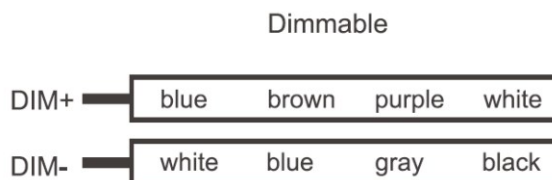
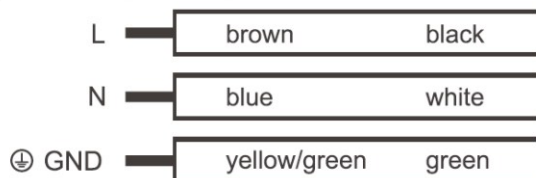
Please read all the instructions below before installation

- > Make sure that the supply voltage corresponds to the rated product voltage;
- > The product must be installed by a qualified electrician in accordance with the National Electrical Code and corresponding local codes.
- > If the product is damaged, do not use it!



Turn Off Power Supply

Wiring Diagram



RISK OF PERSONAL INJURY – READ and follow all WARNINGS and installation instructions.

Keep or give to the owner for future reference.

- Risk of cuts:** Wear gloves to prevent cuts or abrasions when removing from carton, handling, installing, and maintaining this product.
- Risk of electric shock:** This product must be installed in accordance with the applicable installation code by a person familiar with the construction and operation of the product and the hazards involved.
- Risk of Fire:** Minimum 194°F supply conductors. Consult a qualified electrician to ensure correct branch circuit conductor.

DUALWAYS® assumes no responsibility for claims arising out of improper or careless Installation or handling of this product.

Packaging Information

| Model No. | Net Weight/Kg | Outer Carton Size/mm | Gross Weight/Kg | QTY"/CTN |
|-----------------|---------------|----------------------|-----------------|----------|
| DR-SPL250-DGXP | 4.2 | 650*240*250 | 4.8 | 1PCS |
| DR-SPL500-DGXP | 7.1 | 650*240*390 | 8.2 | 1PCS |
| DR-SPL750-DGXP | 10.9 | 650*240*540 | 12.4 | 1PCS |
| DR-SPL1000-DGXP | 14.3 | 650*240*690 | 15.8 | 1PCS |
| DR-SPL1250-DGXP | 17.6 | 650*240*850 | 19.8 | 1PCS |
| DR-SPL1500-DGXP | 23.1 | 650*240*980 | 25.4 | 1PCS |

Details Demo

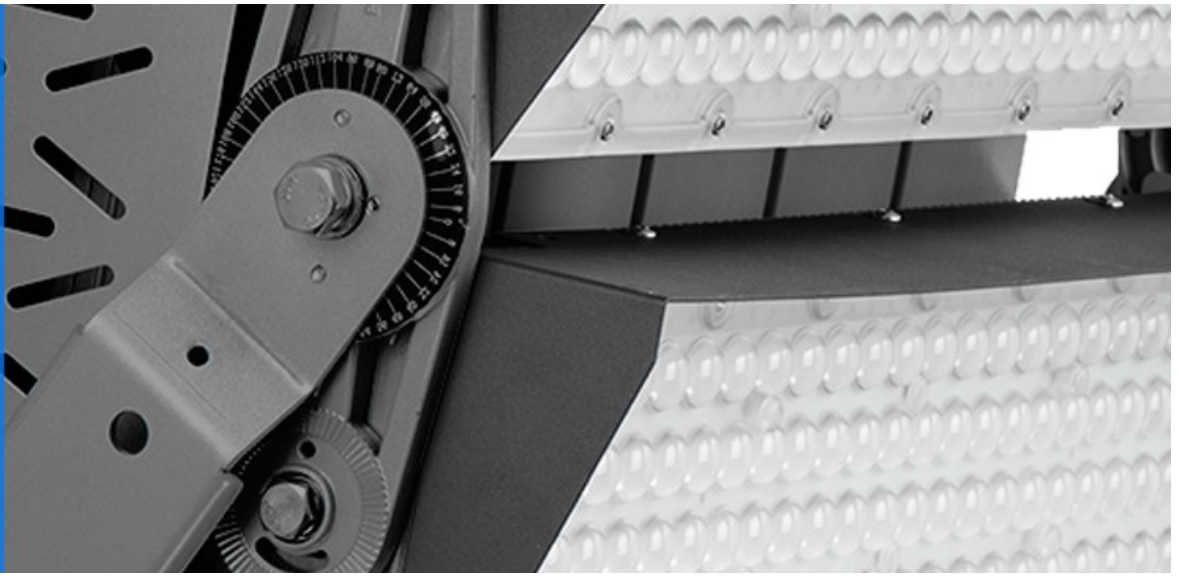


Pure Al Fin Heat Sink, Increase Air Flow for Excellent Thermal Conductivity (230W/m.K Max)>>>



Integrated Back Cover Design, More Compact and Elegant>>>

35°rotatable for each module, and 140°for the whole lighting fixture>>>



Application Reference

